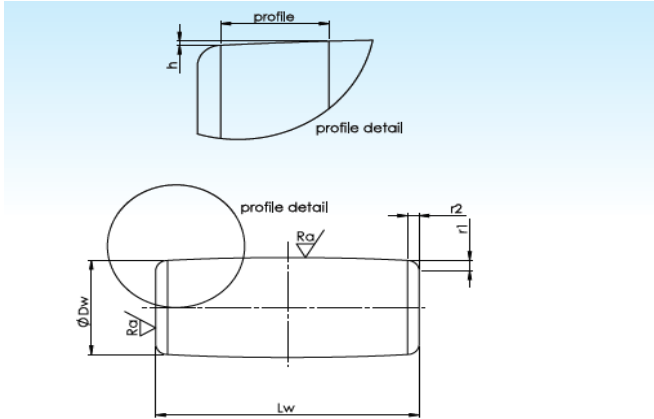


Datenblatt | Data sheet

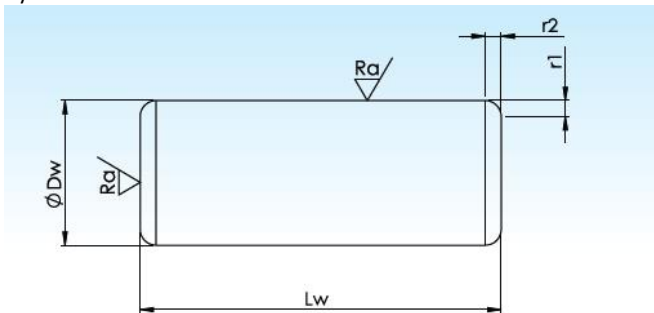
Cylindrical roller

according to DIN 5402-1

Cylindrical roller Form ZB



Cylindrical roller Form TR



Other shapes on request.

Characteristic	ZB	polished forehead
Diameter	3,0 - 80,0 mm	3,0 - 80,0 mm
Diameter Tolerance	+0 / -10 μm	+0 / -10 μm
Length	4,0 - 120,0 mm	4,0 - 120,0 mm
Length Tolerances		
	3 - 15 mm: +0 / -30 μm	3 - 15 mm: +0 / -30 μm
	15 - 50 mm: +0 / -50 μm	15 - 50 mm: +0 / -50 μm
	> 50 mm (h13): +0 / -460 μm	> 50 mm (h13): +0 / -460 μm

This data sheet is for your information only and does not represent a contractually binding document. All the values indicated are standard values and may vary depending on the variety or manufacturer.

V1.01 / December 2020

KUGEL POMPEL®
unsere welt ist kugel rund

Standard sizes (mm)

3 x 5	9 x 9	17 x 24	26 x 40	52 x 90
3,5 x 5	9 x 10	18 x 18	28 x 28	54 x 54
4 x 4	9 x 14	18 x 19	28 x 44	54 x 80
4 x 6	10 x 10	18 x 26	30 x 30	56 x 56
4 x 8	10 x 11	19 x 19	30 x 48	56 x 90
5 x 5	10 x 14	19 x 20	32 x 32	58 x 100
5 x 8	11 x 11	19 x 28	32 x 52	60 x 60
5 x 10	11 x 12	20 x 20	34 x 34	60 x 90
5,5 x 5,5	11 x 15	20 x 30	34 x 55	62 x 62
5,5 x 8	12 x 12	21 x 21	36 x 36	62 x 80
6 x 6	12 x 14	21 x 30	36 x 58	64 x 64
6 x 8	12 x 18	22 x 22	38 x 38	64 x 100
6 x 10	13 x 13	22 x 24	38 x 62	68 x 68
6 x 12	13 x 18	22 x 34	40 x 40	68 x 110
6,5 x 6,5	13 x 20	23 x 23	40 x 65	70 x 70
6,5 x 9	14 x 14	23 x 34	42 x 42	70 x 110
7 x 7	14 x 20	24 x 24	42 x 70	75 x 75
7 x 10	15 x 15	24 x 26	45 x 45	75 x 115
7 x 14	15 x 16	24 x 36	45 x 65	80 x 80
7,5 x 7,5	15 x 22	25 x 25	48 x 48	80 x 120
7,5 x 9	16 x 16	25 x 36	48 x 75	
7,5 x 11	16 x 17	25 x 40	50 x 50	
8 x 8	16 x 24	26 x 26	50 x 75	
8 x 12	17 x 17	26 x 28	52 x 52	

Other sizes on request.

Chemical composition in %

Material	C	Si	Mn	P	S	Cr	Ni	Mo	Hardness HRC
1.3505	0,95 - 1,10	≤ 0,35	0,20 - 0,50	≤ 0,025	≤ 0,025	1,30 - 1,60		-	60 - 66
1.4301	≤ 0,080	≤ 0,75	≤ 2,00	≤ 0,045	≤ 0,030	18,00 - 20,00	8,00 - 10,50	-	20 - 39
1.4401	≤ 0,080	≤ 1,00	≤ 2,00	≤ 0,045	≤ 0,030	16,00 - 18,00	10,00 - 14,00	2,00 - 3,00	20 - 39
1.4034	0,43 - 0,50	≤ 1,00	≤ 1,00	≤ 0,040	≤ 0,030	12,50 - 14,50	-	-	52 - 60
1.4125	0,95 - 1,20	≤ 1,00	≤ 1,00	≤ 0,040	≤ 0,030	16,00 - 18,00	-	≤ 0,75	57 - 65

Other materials on request.

Available with

Precision Grade (ISO3290 / AFBMA)	Roundness	Roughness	Sorting
G1 (only ZB and TR)	< 0,5 µm	< 0,10 µm	1,5 µm
G2	< 1,0 µm	< 0,16 µm	2,0 µm
G3	< 1,5 µm	< 0,30 µm	3,0 µm
G5	< 2,5 µm	< 0,40 µm	5,0 µm

This data sheet is for your information only and does not represent a contractually binding document. All the values indicated are standard values and may vary depending on the variety or manufacturer.

V1.01 / December 2020

KUGEL POMPEL®
unsere welt ist kugel rund